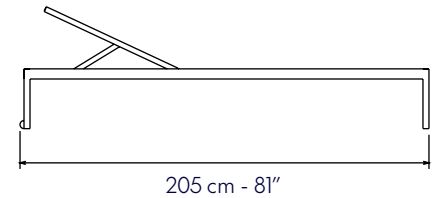
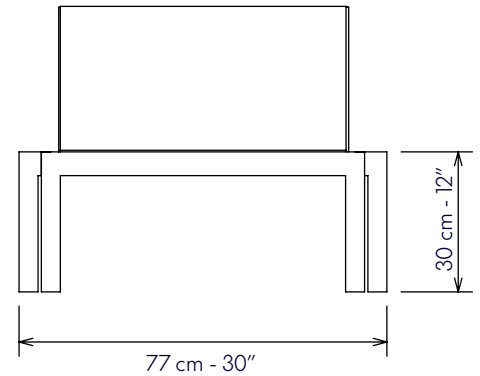
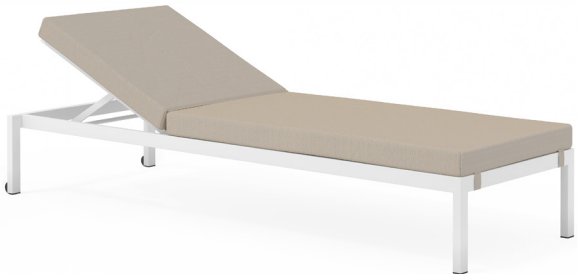
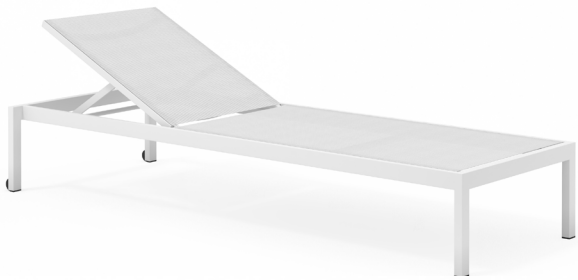




The CLUB collection, designed by Andrés Bluth for BIVAQ, is a sober and elegant concept of straight lines and sharp angles composed of different options of chair, lounge and hammock. Its simplicity makes this collection perfect for different atmospheres and designs. A refreshing and ethereal concept that blends with both classic and avant-garde projects.

CLUB consists of an extruded aluminum structure finished with polyester paint. The seats and backrests are made of Vinytex fabric, providing freshness and lightness to the designs and available in different colors. The table tops are produced in aluminum and HPL compact in a wide variety of tones. CLUB is a versatile, functional and contemporary proposal, stackable and easy to collect, perfect for versatile spaces for different purposes throughout the day.

# single club deckchair



## Frame

- Extruded aluminum finished with polyester powder coating.

## Sling

- Vinytex fabric.
- Synthetic fabric made of plastic coated polyester. UV resistance (class. 7/8).

## Cushions

- Removables.
- Available in 3 different versions: without pad cushion, with standard pad cushion (3,5" thick) and with plus pad cushion (8,5" thick).

## Cushion filling

Seat and back cushion

- Composition 100% polieter fiber + polyester padding.

Standard pad cushion

- Foam density 40 Kg/m<sup>3</sup> polieter fiber
- 150 gr/m<sup>2</sup> poliester fiber

Plus pad cushion

- Foam density 25 kg/m<sup>3</sup> polieter fiber
- 150 gr/m<sup>2</sup> polies ter fiber

## Acrylic fabric

- 100% solution dyed acrylic, UV resistance (class.7/8) with stain and water repellent finish.

## Polyolefin fabric

- Made of polyolefin material, to obtain a soft texture and good touch.
- Resistant to dirt as it does not penetrate inside, and by its nature is inert, non-toxic and does not absorb odors.

## Vinytex fabric

- Synthetic fabric made of plastic coated polyester. UV resistance (class. 7/8).

## Weight and volume

Product	Kg/Lbs	m <sup>3</sup> /cft
Club deckchair	18/40	0,38/13,4

## Other features

Available with wheels.  
Stackable and lightweight.  
The product is delivered assembled.  
Available waterproof cover.  
Suitable for outdoor use.  
Resistant to weathering and sunlight.  
See all the available colors/fabrics in our current Bivaq Catalog or website.